

VILPE[®] Intake Vent



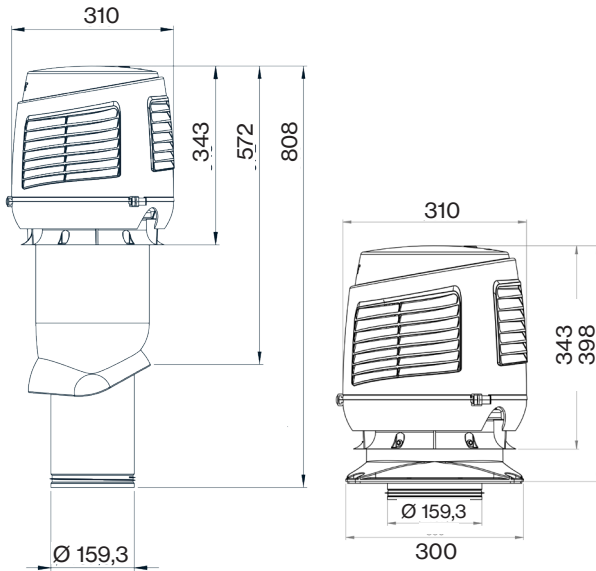
The VILPE Intake Vent supply air element provides a rooftop supply air component for ventilation systems. Compatible with Ø 160 mm ventilation ducts.

The element includes a unique VILPE supply air hood. The hood directs any raindrops away. Also, the design ensures minimal pressure loss caused by the hood.

The VILPE Intake Vent supply air pipe P-model is meant to be installed on VILPE pass-throughs.



Dimensions



Material

VILPE Intake Vent is manufactured from non-corrosive, weather and shockproof, recyclable and UV-protected polypropylene plastics (PP).

Aerodynamic and flow noise properties

EN 12238:2001 | ISO 5135:1997 | Air density 1.20 kg/m³

Measured performance values

Symbol	Unit	1	2	3	4	5	6	7
Q _{v0}	m ³ /h	269	337	401	482	569	689	836
Q _{v0}	dm ³ /s	74,7	93,5	111,4	134	158	191	232
v	m/s	3,7	4,7	5,5	6,7	7,9	9,5	11,5
p ₁₀	Pa	12,0	18,5	25,7	37,1	50,9	73,9	106
p ₅₀	Pa	20,3	31,5	44,2	63,7	88,0	128	186
ζ ₁₀	-	1,45	1,43	1,40	1,40	1,37	1,36	1,33
ζ ₅₀	-	2,45	2,43	2,40	2,40	2,37	2,36	2,33
L _{W63}	dB	*39,0	*38,0	*39,0	*42,0	*46,0	*48,0	55,0
L _{W25}	dB	*30,5	*33,5	38,0	41,5	45,0	49,5	54,5
L _{W250}	dB	*30,5	37,0	42,0	47,0	48,0	52,0	56,5
L _{W500}	dB	*28,5	*35,5	41,0	46,0	51,5	55,0	58,0
L _{W1000}	dB	*22,5	*29,0	*34,5	40,5	46,0	51,0	56,0
L _{W2000}	dB	*16,5	*18,5	*23,5	32,0	38,0	45,0	52,5
L _{W4000}	dB	*18,5	*18,5	*19,0	*21,5	*27,0	35,0	44,0
L _{W8000}	dB	*24,0	*24,0	*24,0	*24,0	*24,0	*26,0	*32,0
L _W	dB	*40,5	*42,5	*46,5	51,0	55,0	59,0	63,5
L _{WA}	dB(A)	*30,0	*35,5	40,5	46,0	50,5	55,0	60,0

*) The background noise requirements of standard ISO 3741:2010 have not been met.

Data represent upper bounds to the sound power level of the noise source under test.

Package

VILPE Intake Vent 160P/IS/500

- VILPE Intake Vent pipe
- Fixing screws

Dimensions of the carton box: 798 x 298 x 365 mm

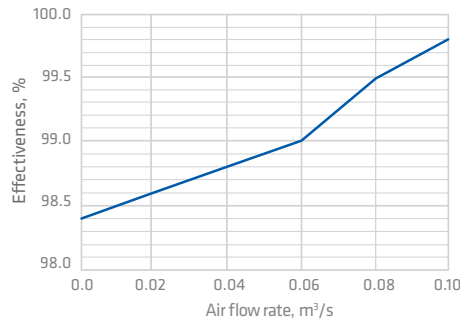
VILPE Intake Vent 160S + installation set

- VILPE Intake Vent
- Installation set 300 x 300 mm
- Connection pipe
- Fixing screws

Dimensions of the carton box: 445 x 320 x 330 mm

Rain rejection

EN 13030:2001 | Circumstances: wind 13 m/s, rain 75 (l/m²)/h



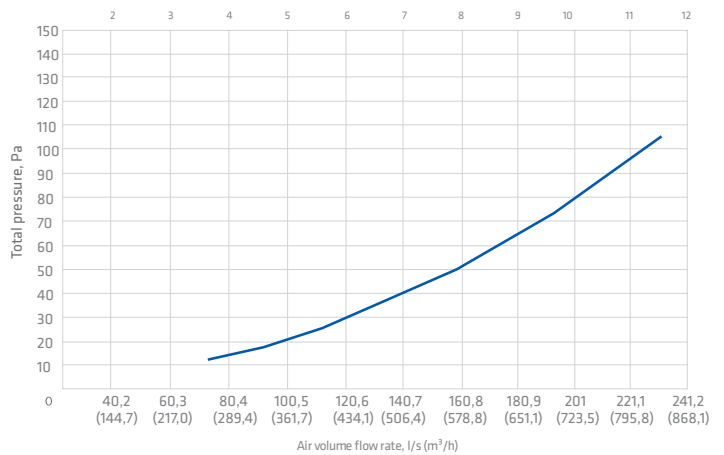
Air flow rate		Performance	
q _v m ³ /s	v m/s	E %	Class
0.00	0.00	98.4	B
0.02	1.00	98.6	B
0.04	2.00	98.8	B
0.06	3.00	99.0	A
0.08	4.00	99.5	A
0.10	5.00	99.8	A

Symbols and units

q_v Air flow rate, m³/s
v Core velocity, m/s
E Effectiveness, %

Aerodynamic properties

EN 12238:2001 | ISO 5135:1997 | Air density: 1.20 kg/m³



Product numbers

REFERENCE COLOUR	NAME	PRODUCT NUMBER	NAME	PRODUCT NUMBER
● black, RAL 9017	VILPE® 160P/IS/500 Intake vent pipe	741882	VILPE® 160S Intake vent	741892
● brown, RAL 8017		741884		741894
● green, RAL 6020		741886		741896
● grey, RAL 7015		741887		741897
● red, RAL 3009		741888		741898
● brick red, RAL 8004		741889		741899
● light grey, RAL 7040		741881		741891