

VILPE[®] Aalto 2K pass-through

The pass-through for Ruukki's Adamante roofing



New pass-through for Ruukki's Adamante roofing

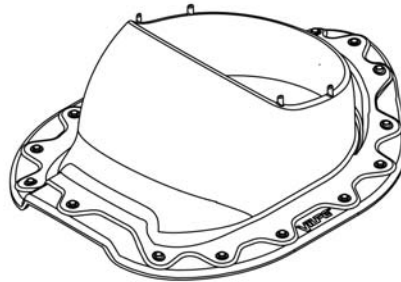
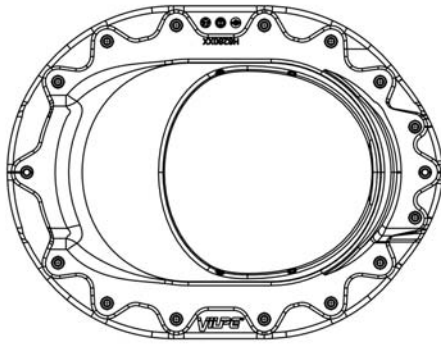
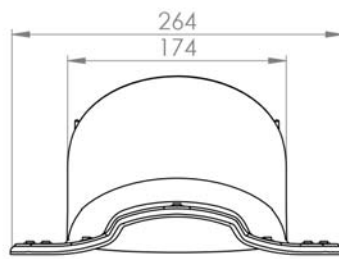
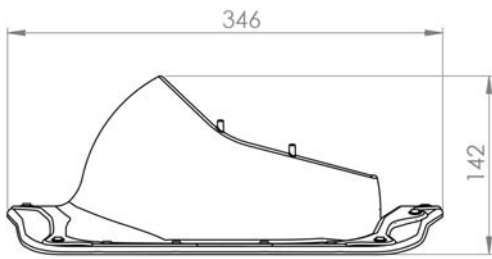
The VILPE[®] Aalto 2K pass-through is suitable for installing VILPE[®] roof fans, exhaust pipes, ventilation pipes and aerial sleeves on a sheet metal roofing such as Ruukki's Adamante, or any equivalent round profiled, tile-patterned roofings.

The product set includes the VILPE[®] 2K sealing for underlay, the new-generation VILPE[®] solution for perfect sealing. The two-component 2K sealing straddles the underlay and the top of the pass-through, thus sealing the hole between completely and preventing any snow, rainfall or humidity reaching roof structures or the insulating material. The sealing in the bottom of the pass-through guarantees a fully waterproof end result. Installation is simple and easy since the package includes everything needed for assembly as well as instructions.

The VILPE[®] Aalto 2K pass-through is suitable for pipes with inner \varnothing of 75, 110, 125 or 160 mm.



Schematics



Material

VILPE® Aalto pass-through is produced by injection molding of through-dyed and UV resistant polypropylene (PP). This raw material is durable and has no harmful impact on the environment.

Standard colours

Black

Reference color RR 33

Brown

Reference color RR 32

Green

Reference color RR 11

Grey

Reference color RR 23

Red

Reference color RR 28/29

Brick-red

Reference color RR 750

Package

Contents:

- Aalto pass-through
- 2K underlay seal
- Sealing compound
- Fixing screws
- Installation instructions for the underlay seal and the pass-through

Package: 450 x 325 x 230 mm.



Product numbers

| NAME | COLOUR | PRODUCT NUMBER |
|-----------------------|-----------|----------------|
| AALTO 2K PASS-THROUGH | black | 740742 |
| | brown | 740744 |
| | green | 740746 |
| | grey | 740747 |
| | red | 740748 |
| | brick-red | 740749 |