

XL Universal pass-through set

New XL pass-through set for profiled roofs



Two models

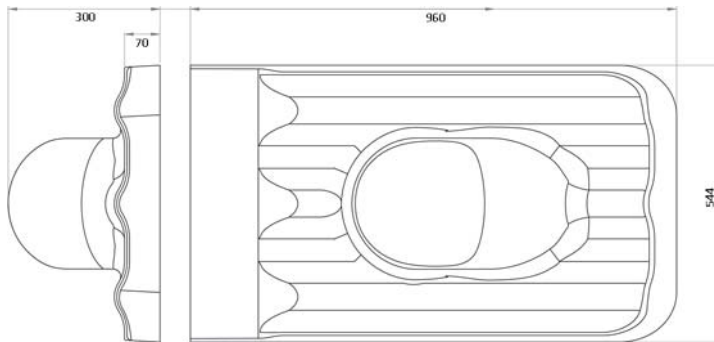
The new VILPE[®] XL Universal pass-through set for profiled steel and tile roofs is replacing the existing XL Steel pass-through. Due to its new design the XL Universal pass-through blends with the roof's profile and enables superior installation.

There are two models of XL Universal pass-through: the uncut basic model (XL Universal) and the pre-cut model (XL Universal MK 1). The pre-cut model is designed to fit perfectly onto a steel roof that has wave distance 183.3 mm, wave length 350 mm and wave height 39 mm (equivalent of to example, Ruukki Monterrey). The basic model can be shaped on site to fit perfectly onto the profile of the roof by cutting the lower part and sides of the pass-through.

Both models of the VILPE[®] Universal pass-through are installed onto the roof so the upper edge of the pass-through is under the ridge capping or ridge tile. The pre-cut model can also be installed lower on the roof slope by using the Flue joint for metal roofing.



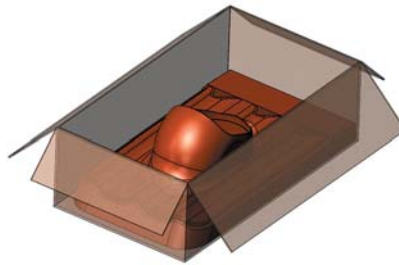
Dimensions



Packaging

Contents:

- XL Universal pass-through
- XL Sealing for underlay
- Installation instructions
- Fixing screws



Dimensions of the carton box: 320 x 560 x 1000 mm.

Product numbers

NAME	COLOUR	PRODUCT CODE
XL UNIVERSAL PASS-THROUGH SET	black	735502
	brown	735504
	green	735506
	grey	735507
	red	735508
	brick-red	735509
XL UNIVERSAL PASS-THROUGH SET MK 1	black	735512
	brown	735514
	green	735516
	grey	735517
	red	735518
	brick-red	735519

Material

The XL Universal pass-through is manufactured from non-corrosive, weather and shockproof, recyclable and UV-protected polypropylene plastic (PP).

Standard colours

Black

Reference colours RR 33, RAL 9005

Brown

Reference colour RR 32

Green

Reference colour RR 11

Grey

Reference colours RR 23, RAL 7015

Red

Reference colours RR 28/29, RAL 3009

Brick-red

Reference colours RR 750, RAL 8004

The XL Universal pass-through is designed and manufactured in Finland.



SK Tuote Oy
Kauppatie 9,
65610 Mustasaari, Finland
www.vilpe.com

Tel. 020 123 3222/Sales and technical support
Tel. 020 123 3200/Switchboard
sales@vilpe.com