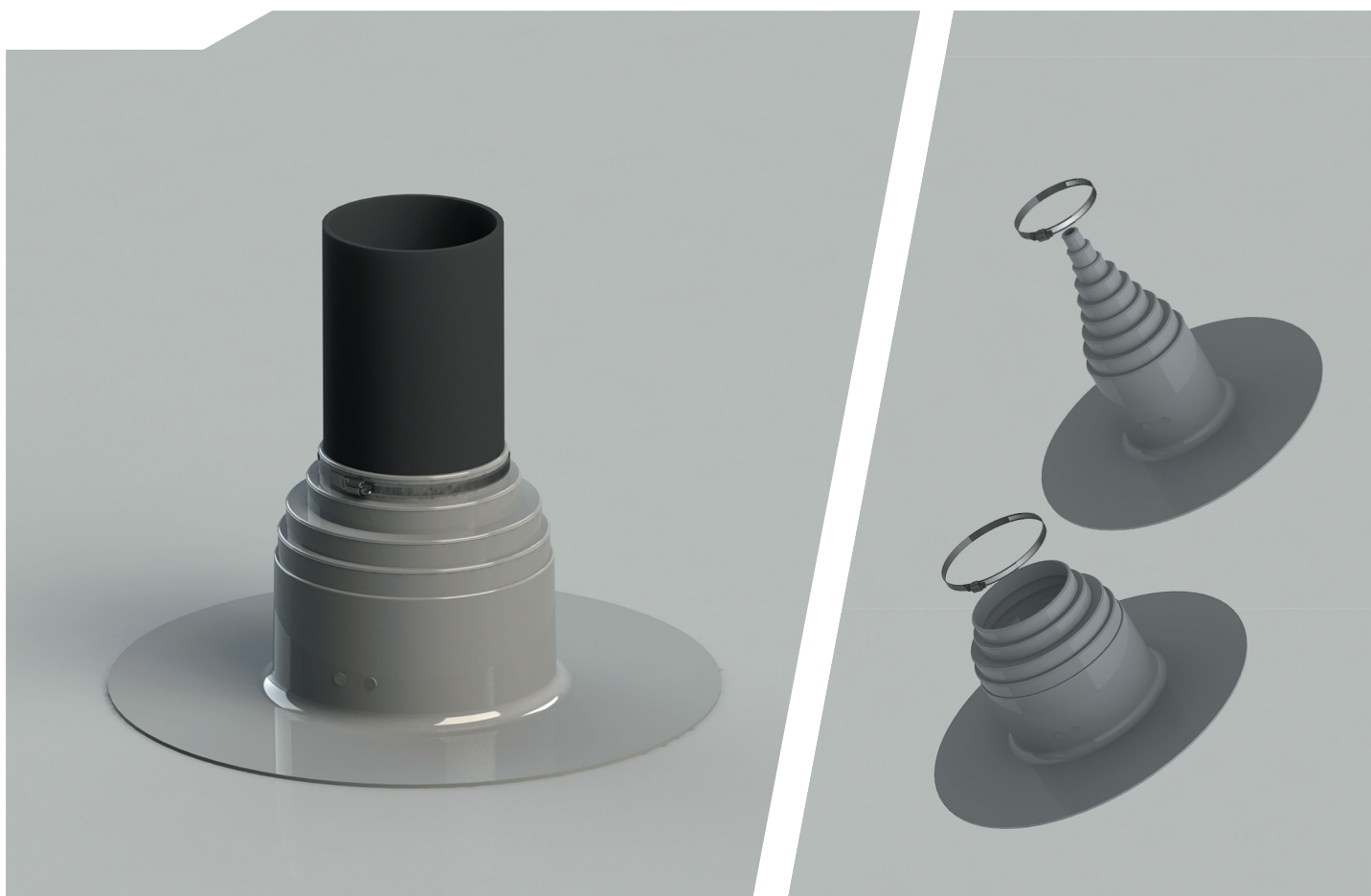


# PVC Roof seal

## PVC Roof seal 12-100 mm and 110-160 mm

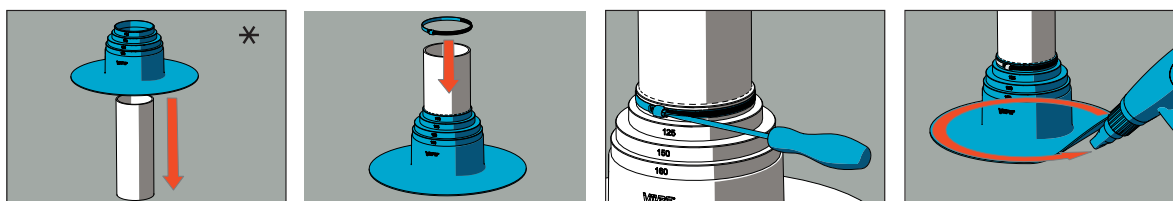


### For sealing pipes on PVC roof

PVC Roof seals are optimal for sealing round pipes that are going through the PVC roof. Examples of applications are ventilation discharge pipes, roof poles, sewerage vent pipes, signboard or flagpole bases, aerial sleeves, the roof's external suspension tie-rods and railings. PVC Roof seals are available in two sizes: 12-100 mm and 110-160 mm. The colour variations are: light grey and dark grey.

### Installation

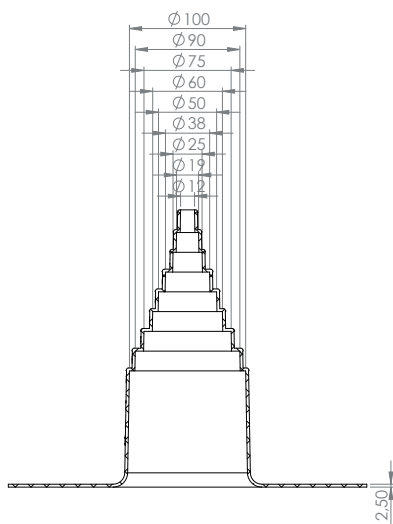
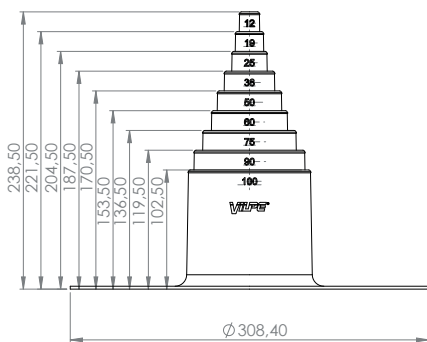
As the PVC Roof seal is made of PVC plastic, it is installed on the PVC roof using the welding method such as used with the roof material itself. A stainless steel clamp is used to tighten the seal around the pipe.



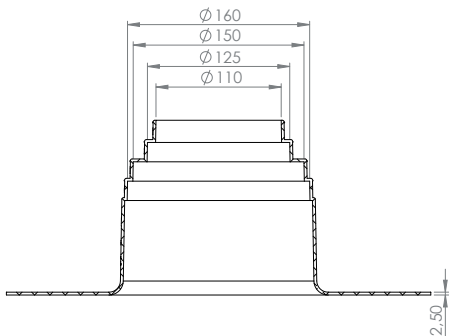
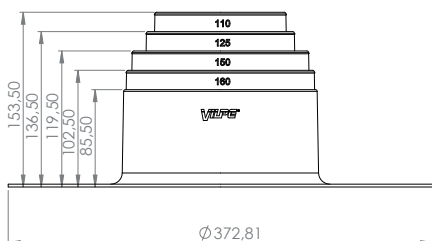
\*Heating of the PVC Roof seal may be necessary when installing it.

## Dimensions

12-100 mm:



110-160 mm:



## Material

PVC Roof seal is made of coloured Polyvinyl chloride (PVC).

## Standard colours

Light grey  
Reference colour RAL 7040

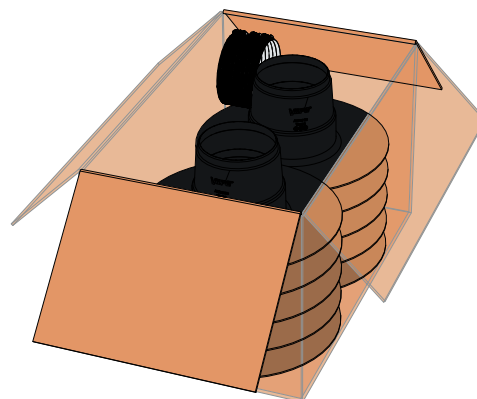
Dark grey  
Reference colour RAL 7016

## Packaging

Contents:

- 10 pcs of PVC Roof seals
- 10 pcs of stainless steel clamps
- PVC Roof seal brochure

Dimensions of the carton box: 410 x 395 x 595 mm.



## Product numbers

NAME	COLOUR	PRODUCT NUMBER
PVC ROOF SEAL 12-100 MM	Light grey	70601
	Dark grey	70602
PVC ROOF SEAL 110-160 MM	Light grey	70611
	Dark grey	70612

PVC Roof seal is designed and manufactured in Finland.